

POSI-TECH

TWIST-ON WIRE CONNECTORS (STANDARD)



PART NUMBER	WIRE RANGE	MIN	MAX	COLOR	PKG QTY
WNGS-1000	22-16	1 #20 w /1 # 22	2 #16	GRAY	100 / BOX
WNGS-1000-DL	22-16	1 #20 w /1 # 22	2 #16	GRAY	500 / BAG
WNBS-1000	22-14	3 #22	3 #16	BLUE	100 / BOX
WNBS-1000-DL	22-14	3 #22	3 #16	BLUE	500 / BAG
WNOS-1000	22-14	3 #22	2 #14 w /1 #18	ORANGE	100 / BOX
WNOS-1000-DL	22-14	3 #22	2 #14 w /1 #18	ORANGE	500 / BAG
WNYS-1000	18-10	1 #14 w /1 #18	1 #10 w /1 #14	YELLOW	100 / BOX
WNYS-1000-DL	18-10	1 #14 w /1 #18	1 #10 w /1 #14	YELLOW	500 / BAG
WNRS-1000	18-10	2 #14	4 #12	RED	100 / BOX
WNRS-1000-DL	18-10	2 #14	4 #12	RED	500 / BAG

TWIST-ON WIRE CONNECTORS (WING STYLE)



PART NUMBER	WIRE SIZE	MIN	MAX	COLOR	PKG QTY
WNYW-1000	22-10	2 #18	3 #12 Sol.	YELLOW	100 / BOX
WNYW-1000-DL	22-11	3 #18	4 #12 Sol.	YELLOW	500 / BAG
WNRW-1000	18-8	2 #16	5 #12 Sol.	RED	100 / BOX
WNRW-1000-DL	18-9	3 #16	6 #12 Sol.	RED	500 / BAG
WNGW-1000	18-8	2 #12	3 #10 w /1 #12	GRAY	100 / BOX
WNGW-1000-CL	18-8	2 #12	3 #10 w /1 #12	GRAY	100 / BAG
WNBW-1000	14-6	1 #10 w /1 #12	1 #6 w /2 #8	BLUE	50 / BOX
WNBW-1000-CL	14-6	1 #10 w /1 #12	1 #6 w /2 #8	BLUE	100 / BAG
WNPW-1000	14-10	2 #14	1 #10 w /3 #12 and 1 #14	GREEN (GROUNDING)	100 / BOX
WNPW-1000-DL	14-10	2 #14	1 #10 w /3 #12 and 1 #14	GREEN (GROUNDING)	500/BAG

"HIGH TEMP" TWIST-ON WIRE CONNECTORS

Manufactured with high temperature rated plastic to withstand extreme temperatures. Rated up to 150°C (302°F) Copper to Copper Only



PART NUMBER	WIRE SIZE	MIN	MAX	COLOR	PKG QTY
WNHT-1001	22-16 AWG	1 #20 - W/ 1 #22	2 #16	BLACK	100
WNHT-1002	22-16 AWG	3 #22	3 #16	BLACK	100
WNHT-1003	22-14 AWG	3 #20	4 #16 W/1 #20	BLACK	100
WNHT-1004	18-10 AWG	1 #14 W/1 #18	4 #14	BLACK	100

"HIGH TEMP CERAMIC" TWIST-ON WIRE CONNECTORS

Molded of porcelain to withstand extreme temperatures. For applications exceeding 150°C (302°F)



PART NUMBER	WIRE SIZE	MIN	MAX	COLOR	PKG QTY
WNCM-1001	18-14 AWG	2 #16	2 #16 W/1 #18	NATURAL	100
WNCM-1005	18-14 AWG	3 #16	2 #16 W/ 2 #18	NATURAL	100
WNCM-1007	18-14 AWG	2 #14	3 #16 W/1 #18	NATURAL	100
WNCM-1008	12-14 AWG	3 #14	2 #12	NATURAL	100

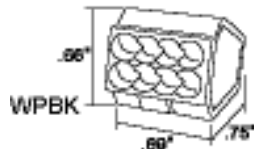
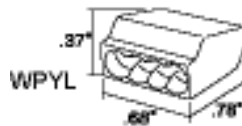
POSI-TECH

PUSH-IN WIRE CONNECTORS



- Simplified insertion and compact size helps in tight locations.
- Clear polycarbonate housings have color-coded side panels for connection verification and identification.
- With corrosion-resistant stainless steel springs, PushGard™ connectors restrict wire pullout, yet corrections are possible with a simple left-right twist and pull.
- Continuity test point for easy voltage checks.
- Available in 2-, 3-, 4 and 8-port configurations.
- Rated at 600 V Max. in building wire and at 1000 V Max. in lighting fixtures/ luminaries.
- Copper-to-copper connections only.

New!



PART NUMBER	WIRE RANGE	COLOR	PKG QTY
WPRD-2212	22-12	RED	100 / BOX
WPRD-2214-DL	22-12	RED	500 / BAG
WPOR-3212	22-12	ORANGE	100 / BOX
WPOR-3213-DL	22-12	ORANGE	500 / BAG
WPYL-2212	22-12	YELLOW	100 / BOX
WPYL-2213-DL	22-12	YELLOW	500 / BAG
WPBK-2212	22-12	BLACK	100 / BOX
WPBK-2213-DL	22-12	BLACK	500 / BAG

DIN STYLE INSULATED WIRE FERRULES

New!

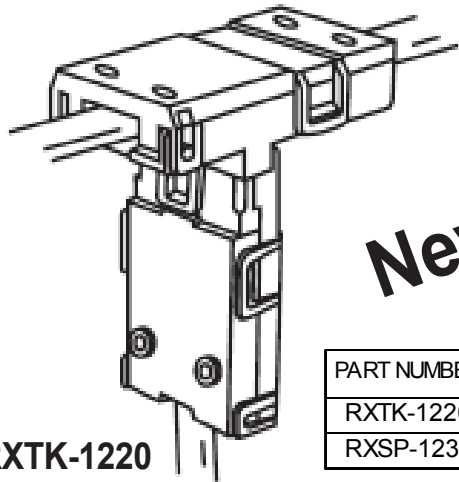


PART NUMBER	WIRE SIZE		FERRULE LENGTH	COLOR	BOX QTY
	MM ²	AWG			
VNFE-2606	0.14	26	6	GREY	100
VNFE-2406	0.34	24	6	TURQ	100
VNFE-2206	0.50	22	6	WHITE	100
VNFE-2008	0.75	20	8	GREY	100
VNFE-1808	1.00	18	8	RED	100
VNFE-1608	1.50	16	8	BLACK	100
VNFE-1408	2.50	14	8	BLUE	100
VNFE-1210	4.00	12	10	GREY	100
VNFE-1012	6.00	10	12	YELLOW	100

Dual wire and uninsulated ferrules also available.

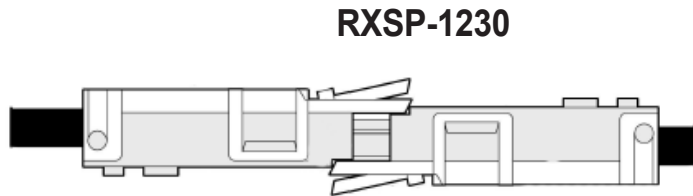
POSI-TECH

MOLEX IN-LINE SPLICES FOR ROMEX® TYPE CABLE



RXTK-1220

New!



RXSP-1230

PART NUMBER	WIRE RANGE	DETAILS	PKG QTY
RXTK-1220	12-2 Sheathed Cable	3 Way In-line Splice (2 pieces)	1 Pair
RXSP-1230	12-3 Sheathed Cable	Splice	1 Pair

SELF-TAPPING WIRE CONNECTORS

Pre-insulated tap and splice connectors allow for easy splicing of wire without stripping and exposing wire to short circuits. Installed with regular pliers. Locks in place after splice is complete.



PART NUMBER	WIRE SIZE	WIRE DIAGRAM	COLOR	QTY BAG
SLRD-2218	22-18		RED	100
SLBL-1614	16-14		BLUE	100
SLWH-1614	16-14		WHITE	100
SLYE-1210	12-10		YELLOW	100
SLBR-1216	12-10 RUN 16-14 TAP		BROWN	100

Pre-insulated tap connector splices into wire to allow insertion of VNQM, NYQM, and NOQM series quick slides. Quick and easy installation using regular pliers.



PART NUMBER	WIRE SIZE	BLADE WIDTH	COLOR	QTY BAG
SLTT-2218	22-18	1/4"	RED	100
SLTT-1614	16-14	1/4"	BLUE	100
SLTT-1210	12-10	1/4"	YELLOW	100

POSi-TECH

NON-INSULATED PIGTAIL CONNECTORS



PART NUMBER	WIRE SIZE	BOX QTY
NOPG-2200	22-14	100
NOPG-1800	18-10	100
NOPG-1600	16-8	50

CRIMP SLEEVES COPPER AND STEEL



PART NUMBER	WIRE SIZE	MATERIAL	BOX QTY
CRCU-0310	#18 - #10 AWG MIN: 2 # 16 MAX: 2 #10 W / 1 #12	COPPER	100
CRZS-0410		GOLD ZINC	100
CRCU-0311	#14 TO #8 AWG MIN: 3 #12 MAX: 4 #10	COPPER	50
CRZS-0411		GOLD ZINC	50